

AS08-10

RECEIVED
CLERK'S OFFICE

APR 25 2008

STATE OF ILLINOIS
Pollution Control Board

Appendix B EAF Mill Data

NON-DISCLOSABLE INFORMATION REDACTED

Table of Contents

- Mill Reference Key
- EAF Mill Data

RECEIVED
CLERK'S OFFICE

APR 25 2008

STATE OF ILLINOIS
Pollution Control Board

Appendix F

Feed System Information and Reagent Information

NON-DISCLOSABLE INFORMATION REDACTED

Table of Contents

- F.1 – Stabilization Facility Plan
- F.2 – Mixer Drawings
- F.3 – PDC Chemistry Description
- F.4 – Material Safety Data Sheet (MSDS)
- F.5 – Reagent Constituent of Concern Evaluation

F.1 – Stabilization Facility Plan



4' X 4' LOUVER
(TYP. AT 9 LOC.)

FARR DUST COLLECTOR
(DC1) 30,000 CFM

EXISTING
MIXER

12' WIDE X 16' HIGH
OVER HEAD DOOR
(TYP. AT 4 LOC.)

13' 10" WIDE X
10' HIGH OVER
HEAD DOOR

WASTE RECEIVING
AREA

MIX BOX "A"

MIX BOX "B"

RAMP RAMP

WASTEWATER
SUMP NO. 1

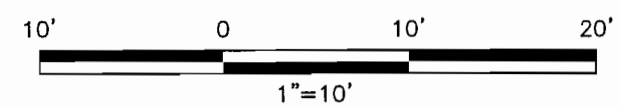
WASHWATER
SUMP NO. 2


MASTER
SUMP

OFFICE

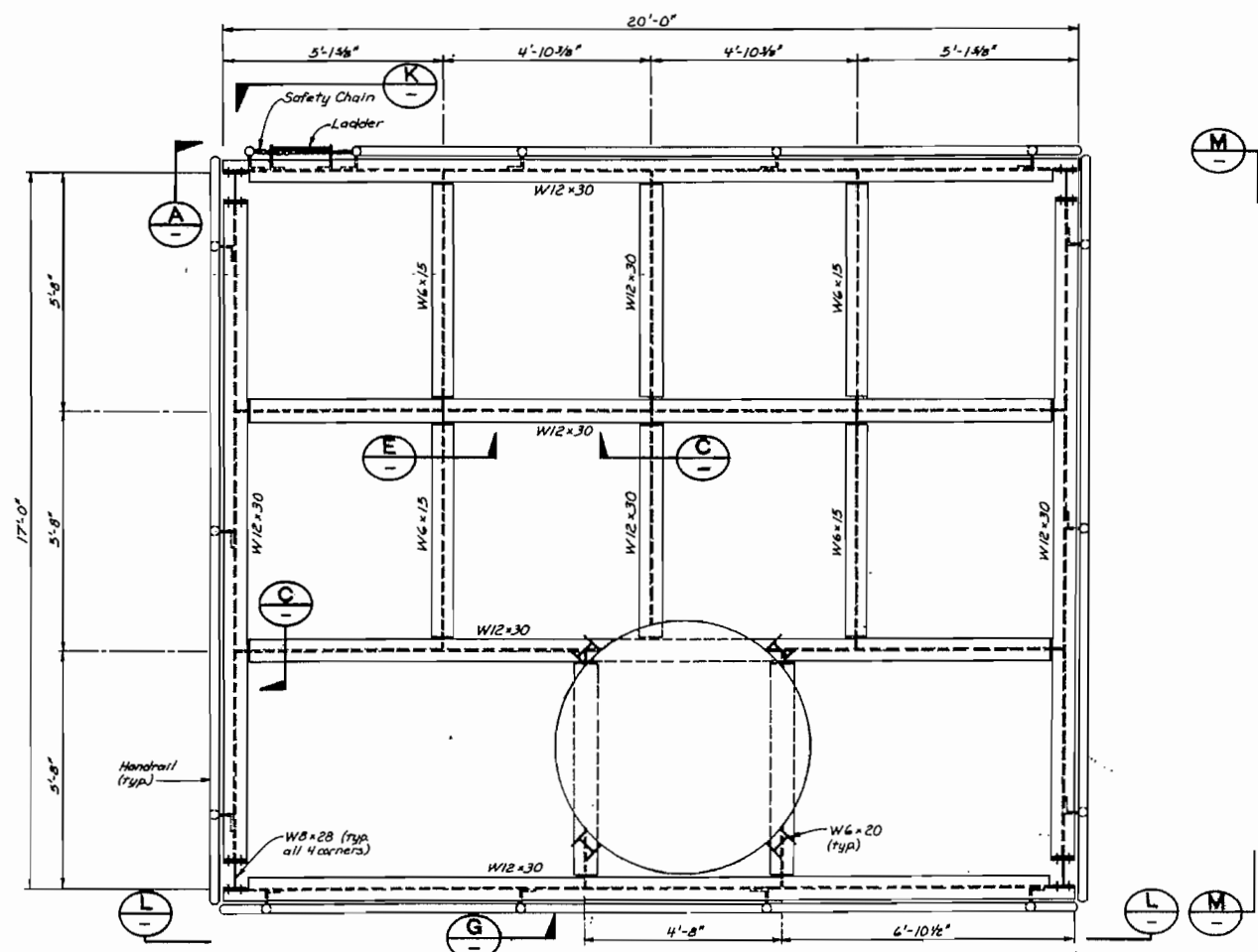
STORAGE AREA

WHEELBRATOR PULSEJET III
DUST COLLECTOR MODEL 3315
(DC2) 60,000 SCFM

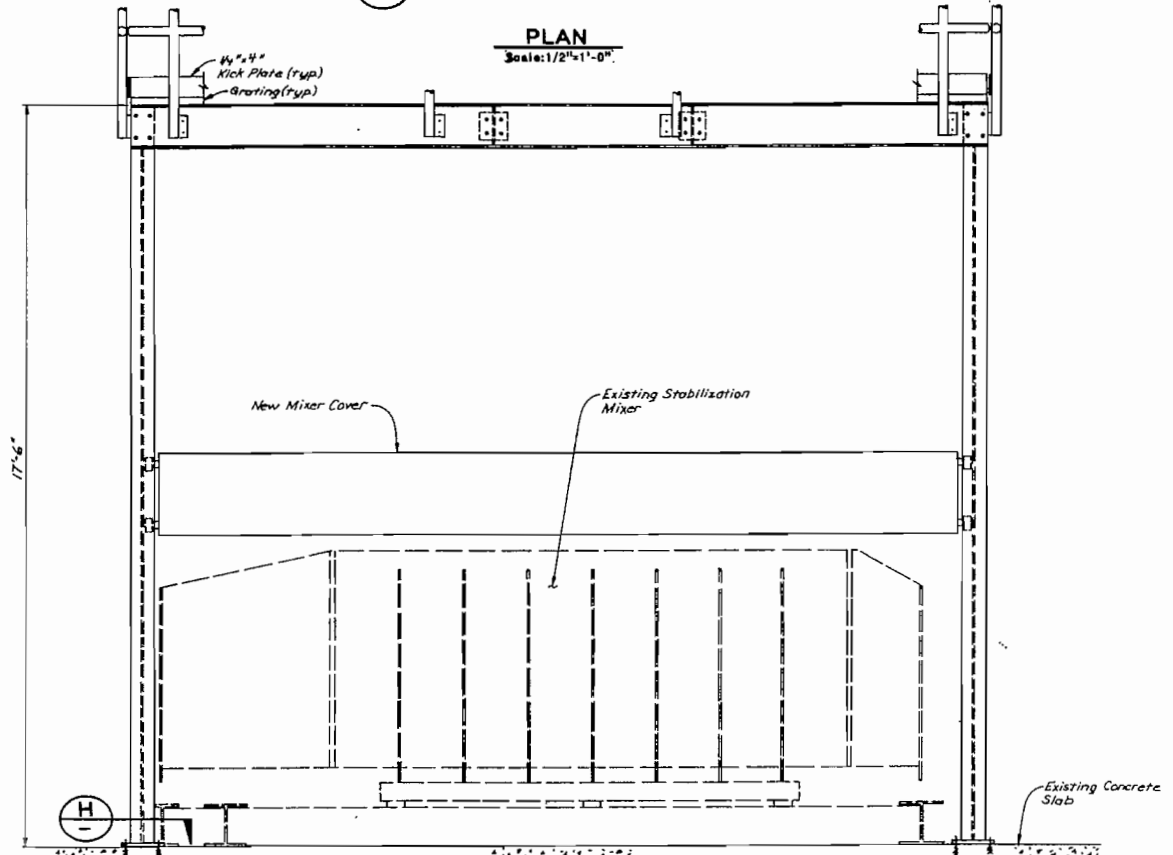


<p>PDC Technical Services, Inc.</p>  <p>Peoria, Illinois</p>	K061 DELISTING PETITION
	STABILIZATION FACILITY PLAN
	PEORIA DISPOSAL COMPANY
	PEORIA, ILLINOIS
	PROJECT NO. 97-542

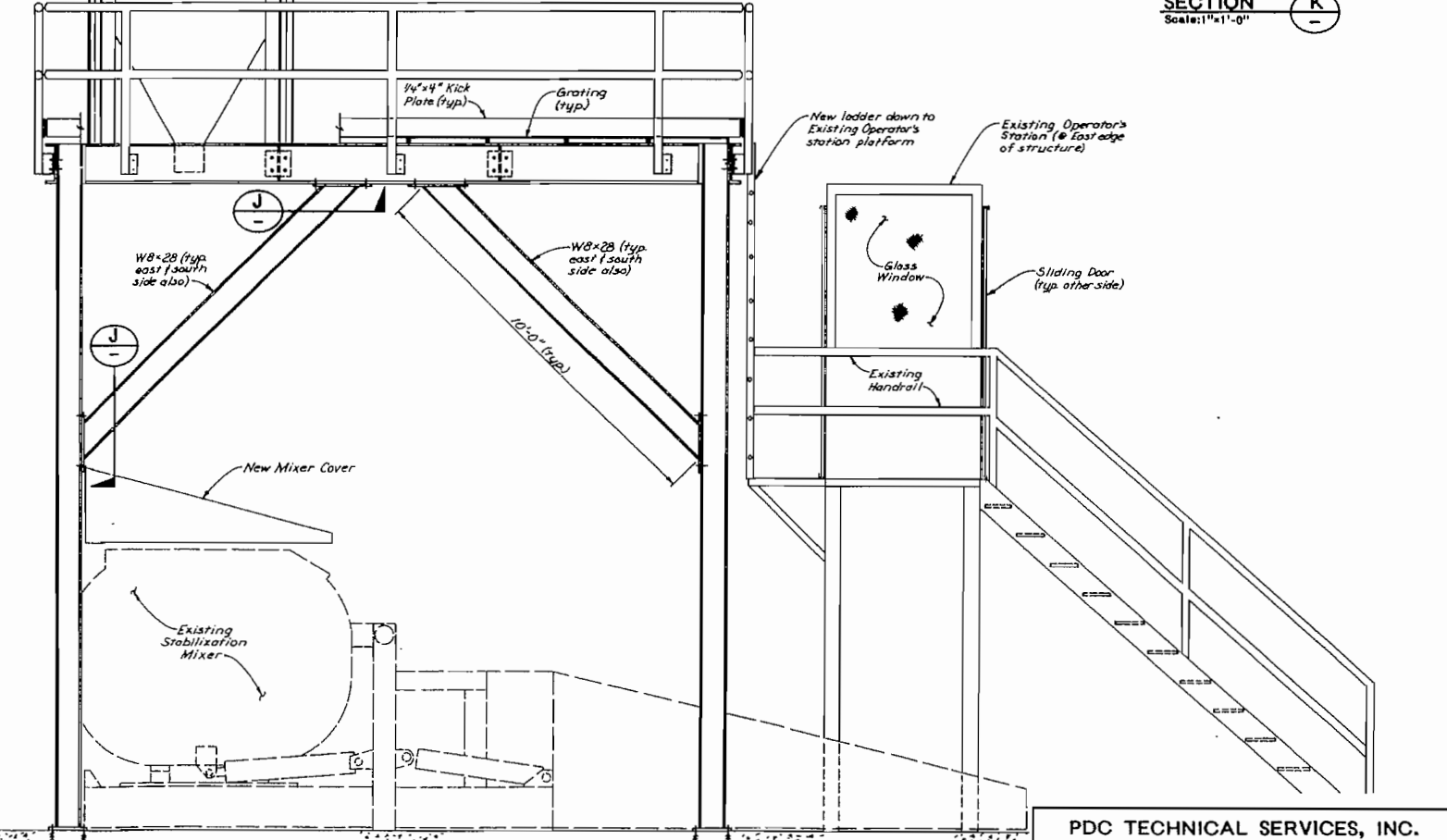
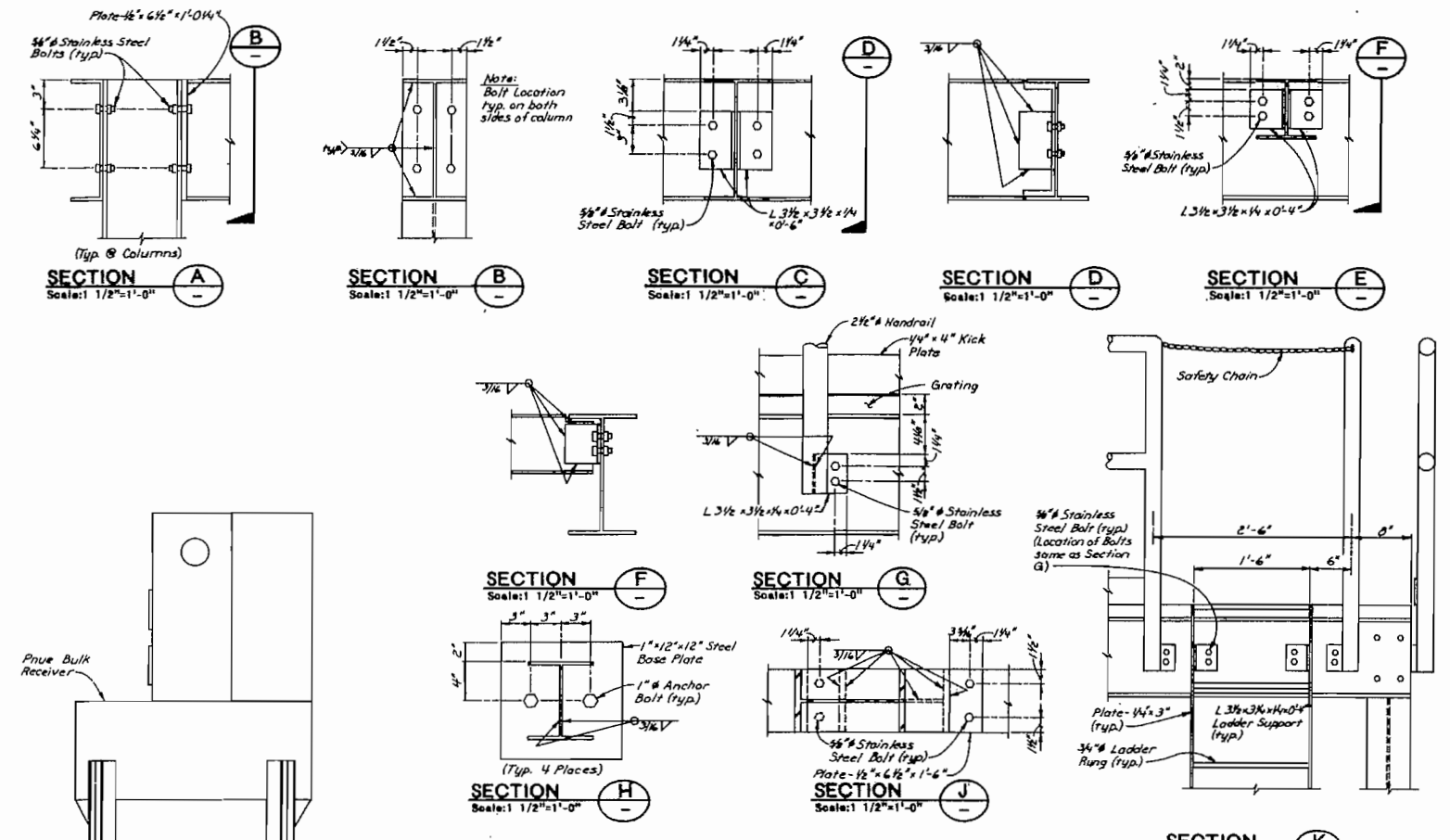
F.2 – Mixer Drawings



PLAN
Scale: 1/2"=1'-0"

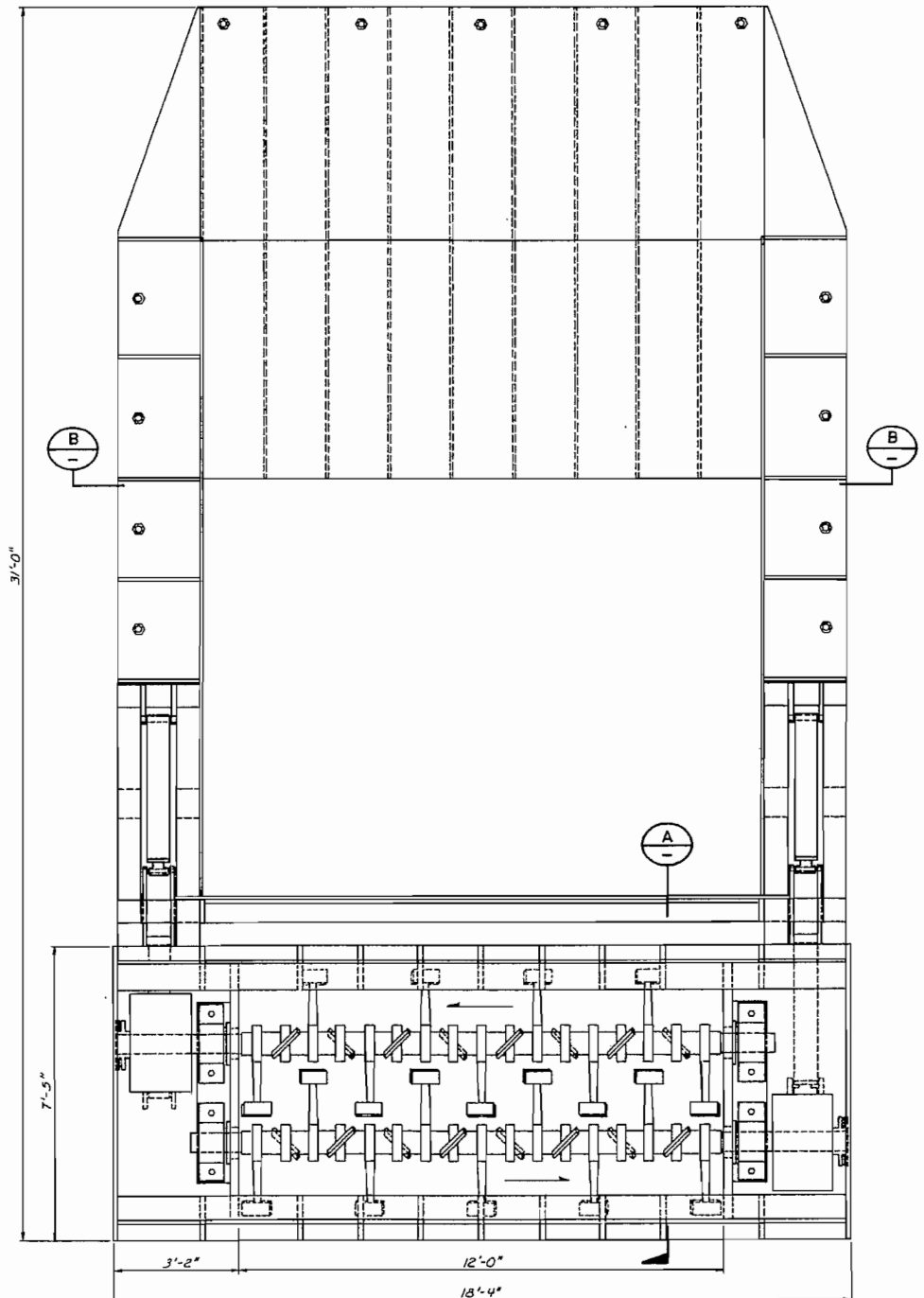


SECTION L
Scale: 1/2"=1'-0"

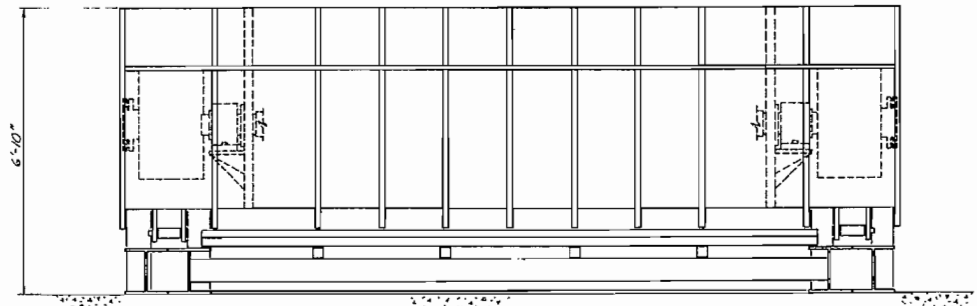


SECTION M
Scale: 1/2"=1'-0"

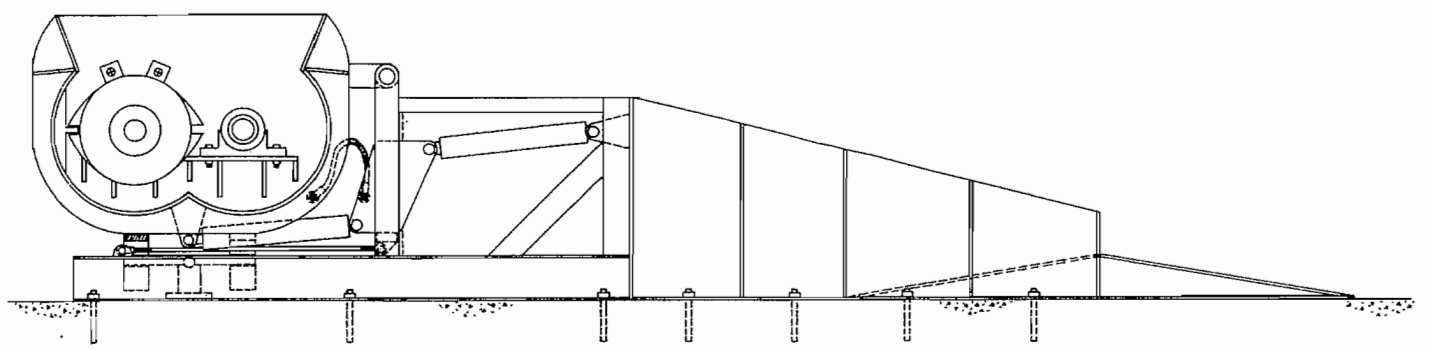
PDC TECHNICAL SERVICES, INC.		
SCALE: NOTED	APPROVED BY:	DRAWN BY T.COX
DATE: 3-19-90	REVIEWED:	
PDC 1 STABILIZATION MIXER		
BULK RECEIVER SUPPORT STRUCTURE		DRAWING NUMBER



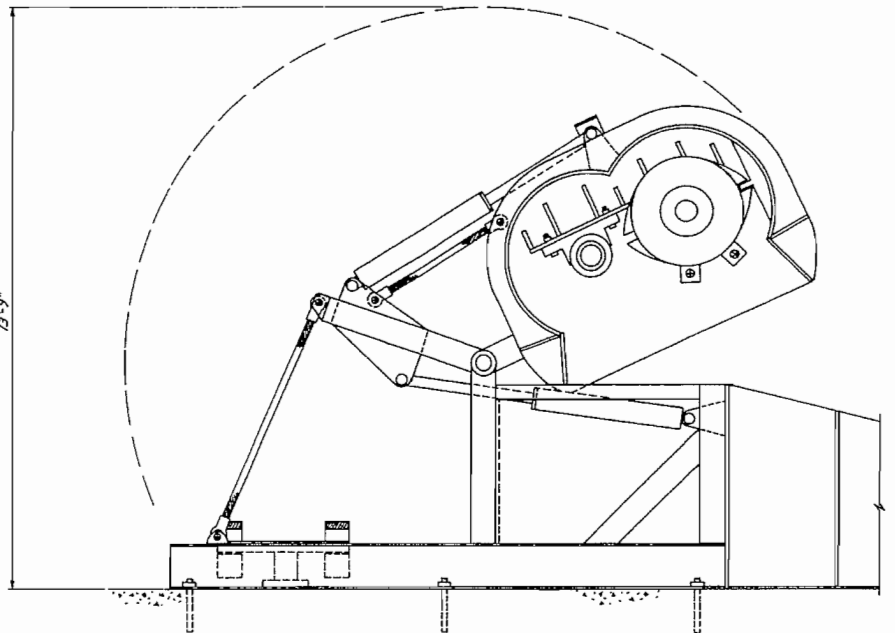
TOP VIEW



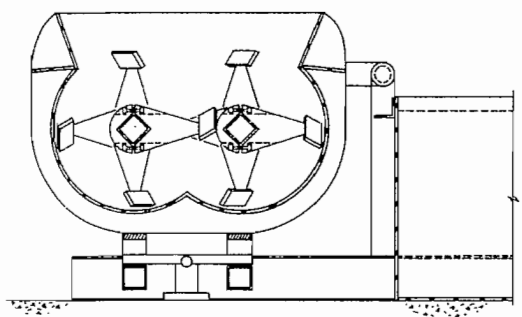
END VIEW



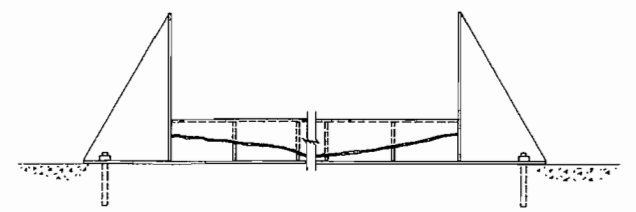
CHARGE & MIX POSITION
SIDE VIEW



DISCHARGE POSITION
PARTIAL SIDE VIEW



SECTION A



SECTION B

PDC TECHNICAL SERVICES, INC.			
SCALE	1/2"=1'-0"	APPROVED BY	DATE
DATE		DESIGNED BY	T. COX
		REVIEWED	
		DRAWING NUMBER	

NON-DISCLOSABLE INFORMATION REDACTED

F.3 – PDC Chemistry Description

F.4 – Material Safety Data Sheet (MSDS)

F.5 – Reagent Constituent of Concern Evaluation